





## ASSEMBLY INSTRUCTIONS

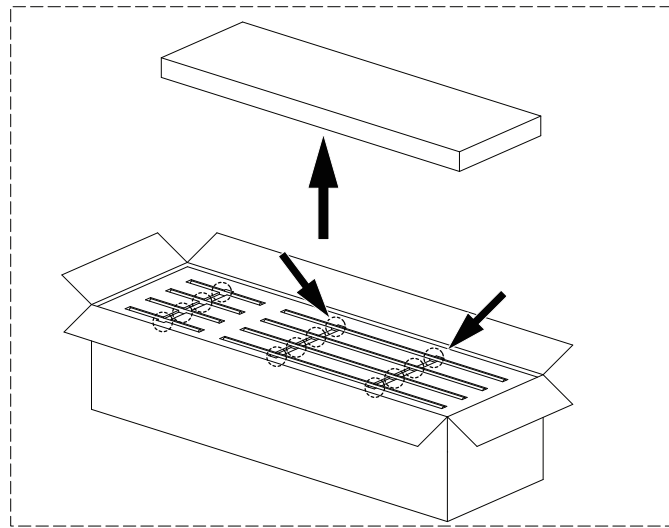
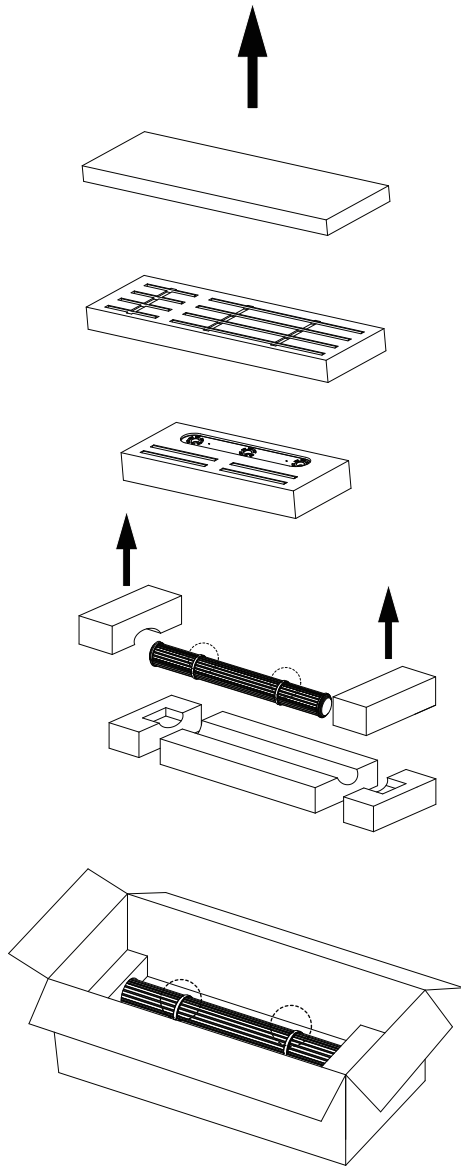


Diagram 3

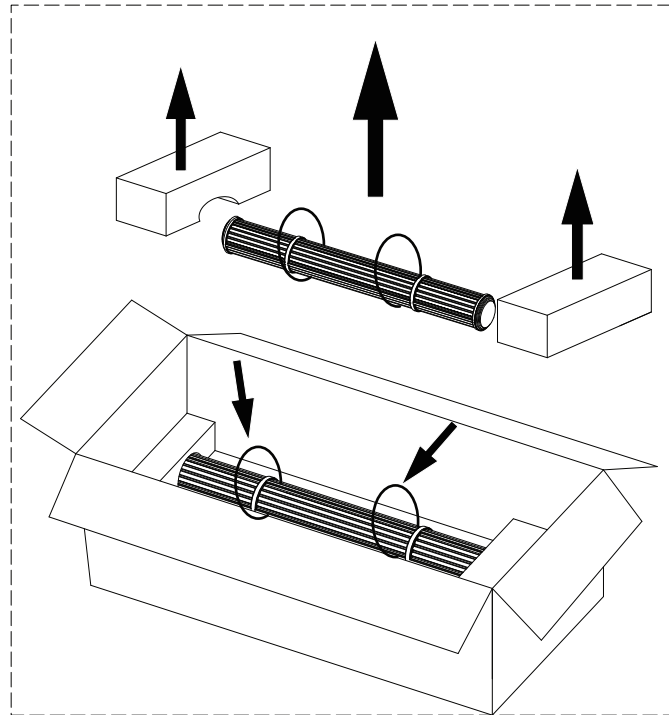


Diagram 4

## Perren Large Linear Chandelier

Item # RL5724

### NOTICE:

Please follow instructions below to avoid possible damages caused by improper removal.

1. Open box and remove top layer of packaging.
2. Evenly lift glass rods in areas indicated by arrows (see diagram 3) until clear of packaging. Place on clean, soft surface.
3. Remove second layer of packaging, along with mounting plate and rods and set aside.
4. Remove side styrofoam blocks from packaging then evenly lift fixture by ribbons, indicated by arrows (see diagram 4) until clear of packaging. Place on clean, soft surface.

**NOTE:** Remove slowly to avoid damages.

# RALPH LAUREN