



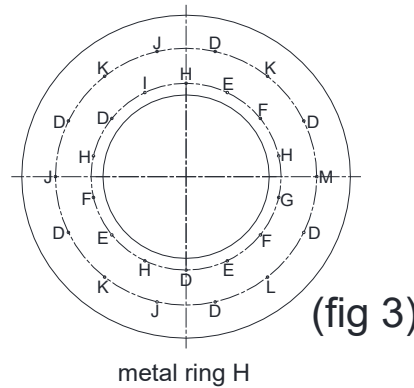
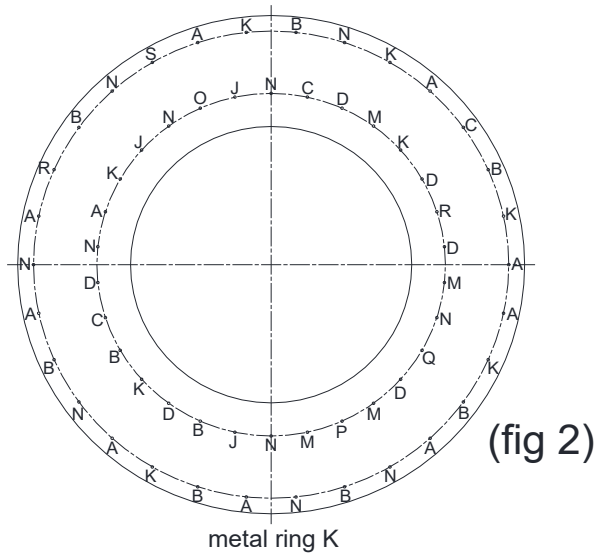
# ASSEMBLY INSTRUCTIONS

## Hailee Medium Sculpted Chandelier

Item # RL 5341

### NOTICE:






This light fixture should be installed in accordance with all applicable, local installation codes, and by a person familiar with the construction and operation of it, as well as the hazards involved. Inspect item and contents carefully. If any damage or defect is found, do not install. Retain all packaging material until installation is complete and approved.



### Hanging Hook

A (10PCS) L=7.25" (184mm)	B (9PCS) L=10.75" (273mm)	C (3PCS) L=19" (483mm)	D (14PCS) L=26" (660mm)
E (3PCS) L=30.5" (775mm)	F (3PCS) L=39.5" (1003mm)	G (1PC) L=31" (787mm)	H (4PCS) L=33.25" (845mm)
I (1PC) L=39.25" (997mm)	J (6PCS) L=22" (559mm)	K (11PCS) L=18.25" (464mm)	L (1PC) L=18" (457mm)
M (5PCS) L=22.25" (565mm)	N (11PCS) L=16.75" (425mm)	O (1PC) L=19.5" (495mm)	P (1PC) L=7.5" (191mm)
Q (1PC) L=19.25" (489mm)	R (2PCS) L=16.5" (419mm)	S (1PC) L=10.5" (267mm)	

### Crystal

				
1 10PCS	2 25PCS	3 25PCS	4 12PCS	5 16PCS

11. Assembly the metal ring (H) to the canopy (F) by using rods (G) and securing with nuts (D) (See fig 1).
12. Assembly the metal ring (K) to the metal ring (H) by using rods (I) and securing with nuts (D) (See fig 1).
13. When attaching the hanging hooks to the metal ring (H and K), follow locations for hooks at (fig 2 and fig 3).  
NOTE: To further secure the hanging hooks, place a drop of loctite on the top thread, then firmly tighten the nuts (J).
14. Hang the crystal (from 1 to 5, total 5 kinds, 88pcs) to the hanging hooks, no specific location, just put it on the desired hanging hooks.
15. Insert bulbs (not included) into the sockets.
16. Installation is complete, turn on power at fuse or circuit breaker.

Care Instructions: Clean only with a soft dry cloth or feather duster. Do not use abrasive or chemical agents.

# RALPH LAUREN

