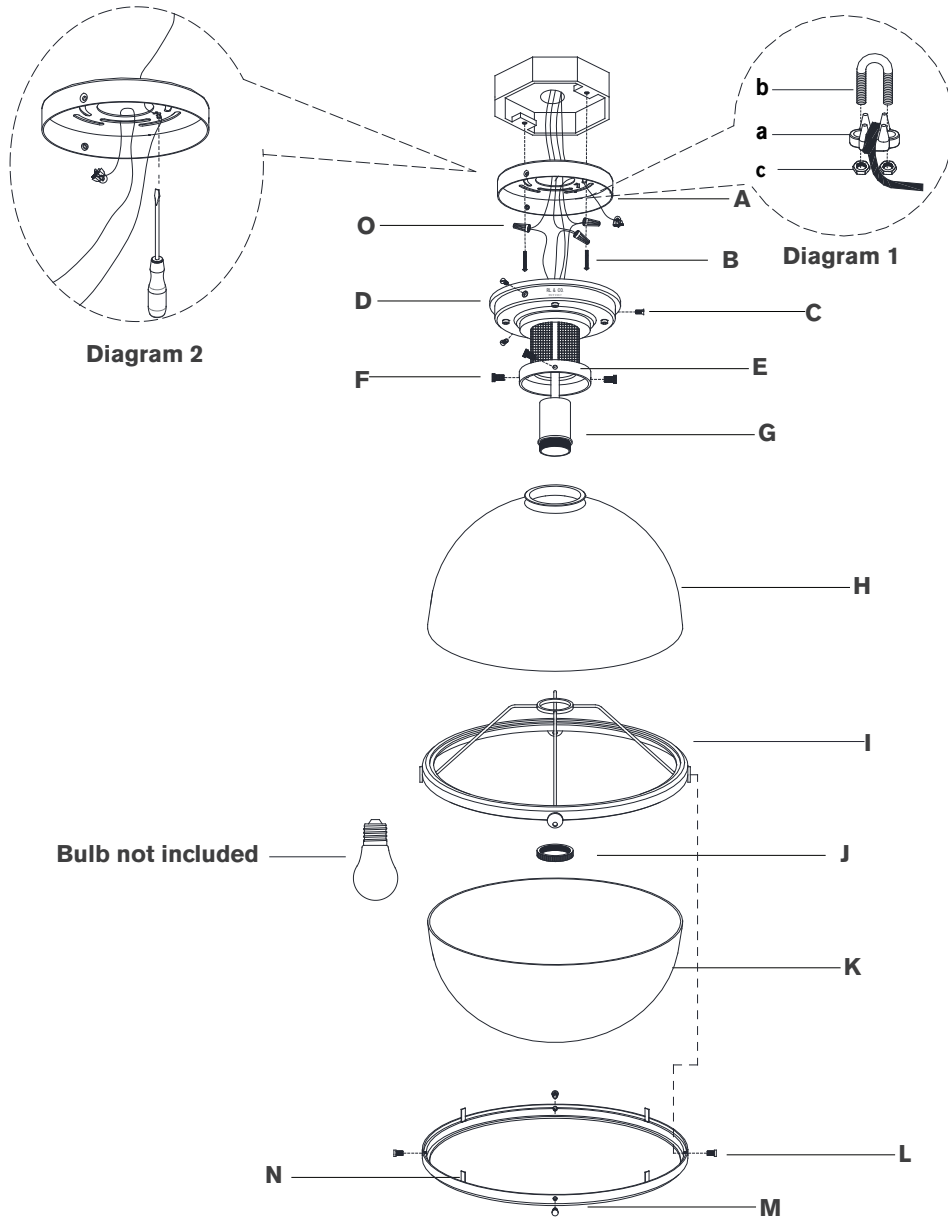


## ASSEMBLY INSTRUCTIONS



## McCarren Large Flush Mount

Item # RL 4462

### NOTICE:

This light fixture should be installed in accordance with all applicable, local installation codes, and by a person familiar with the construction and operation of it, as well as the hazards involved. Inspect item and contents carefully. If any damage or defect is found, do not install. Retain all packaging material until installation is complete and approved.

### TOOLS REQUIRED (NOT INCLUDED):

Phillips Screwdriver	Slotted Screwdriver	Wire Cutters
Slip Joint Pliers	Wire Strippers	

- Carefully remove all parts from the box. Place on a clean, soft surface.
- Remove mounting plate (A) from canopy (D) by removing canopy screws (C).
- Install mounting plate (A) to the junction box and secure with mounting screws (B).
- Run support cable through junction box and around the mounting plate (A). Wrap the support cable around the saddle (a), and secure with u-bolt (b) and hex nuts (c) as shown in diagram 1.
- Wrap fixture ground wire (bare copper) around the green grounding screw (see diagram 2). Tighten. Continue fixture ground wire and connect to supply ground wire (usually green or bare copper) using wire nut (O).

**NOTE:** It is imperative that the fixture is grounded.

- Connect fixture neutral wire (white) to the supply neutral wire (usually white) using wire nut (O).
- Connect fixture hot wire (black) to the supply hot wire (usually black) using wire nut (O).

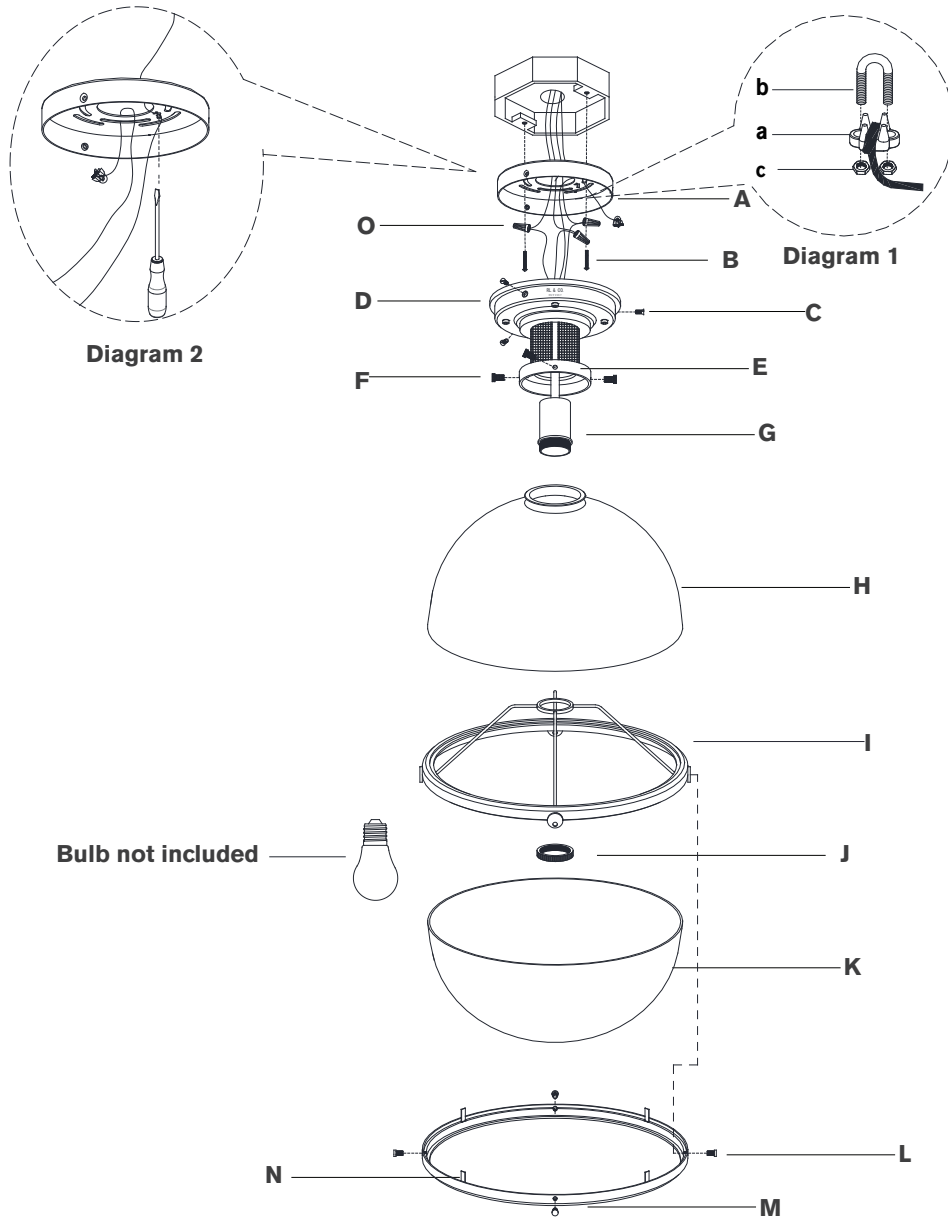
**CAUTION:** Do not reverse the hot and neutral connections.

- Make sure all wire connections are tight, then carefully tuck into the junction box.
- Install canopy (D) to mounting plate (A) and secure with canopy screws (C).

# RALPH LAUREN



## ASSEMBLY INSTRUCTIONS



## McCarren Large Flush Mount

Item # RL 4462

### NOTICE:

This light fixture should be installed in accordance with all applicable, local installation codes, and by a person familiar with the construction and operation of it, as well as the hazards involved. Inspect item and contents carefully. If any damage or defect is found, do not install. Retain all packaging material until installation is complete and approved.

10. Loosen thumbscrews **(F)** from fixture, then attach top glass shade **(H)** to shade cover **(E)** and secure with thumbscrews **(F)**.
11. Remove socket ring **(J)** from socket **(G)**, then install shade bracket **(I)** to socket **(G)** and secure with socket ring **(J)**.
12. Insert light bulb into the socket.
13. Place bottom glass shade **(K)** to metal ring **(M)** and secure with metal tabs **(N)**.
14. Install metal ring **(M)** to shade bracket **(I)** and secure with screws **(L)**.

**Care Instructions:** Clean only with a soft dry cloth or feather duster. Do not use abrasive or chemical agents.

# RALPH LAUREN

