

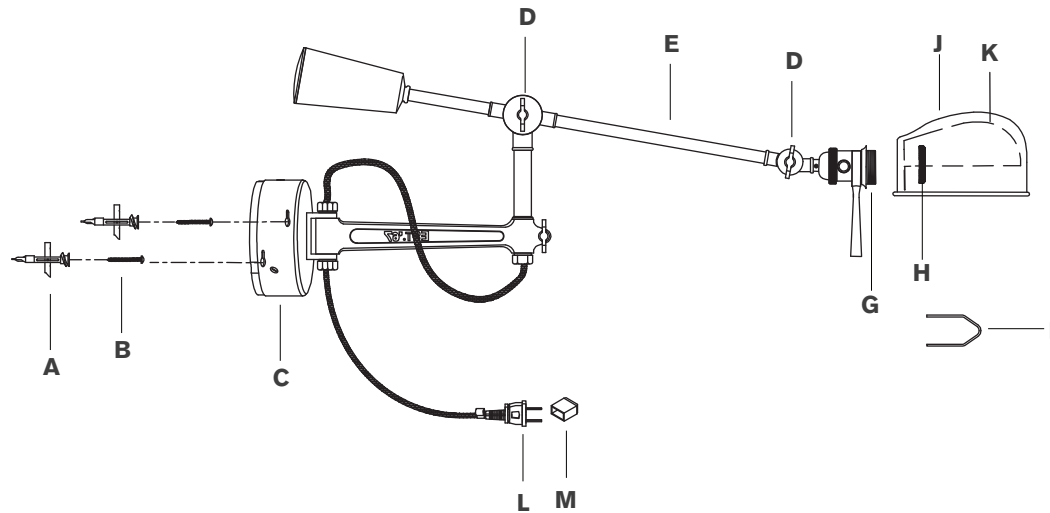
ASSEMBLY INSTRUCTIONS

RL '67 Boom Arm Wall Lamp

Item # RL14029

NOTICE:

This light fixture should be installed in accordance with all applicable, local installation codes, and by a person familiar with the construction and operation of it, as well as the hazards involved. Inspect item and contents carefully. If any damage or defect is found, do not install. Retain all packaging material until installation is complete and approved.



1. Carefully remove all parts from the carton.
2. Measure center distance of both hanging key holes at backside of lamp base (C). Mark hole locations on the wall with the same distance in desired height, making sure both holes are level with each other.
3. Drill small hole on each point location on the wall, each hole should be large enough to accommodate the toggle bolt (A). Push toggle bolts into the holes in the wall.
4. Insert both mounting screws (B) into the toggle bolt (A), make sure both screw heads with 1/8" threads are visible.
5. Hook lamp base (C) onto both heads of mounting screws (B).
6. Remove socket ring (H) from threaded socket (G).
7. Place lamp shade (J) over threaded socket, followed with light reflector (K), and secure with socket ring (H) using Allen wrench (I) provided.
8. Insert light bulb into socket.
9. Remove plastic cover (M) from electrical plug (L).
10. Plug lamp into wall outlet.

Adjustment Instructions

1. Loosen adjustment keys (D), adjust arm (E) or shade (J) to the desired position.
2. Tighten the adjustment keys.

Care Instructions: Clean only with a soft dry cloth or feather duster. Do not use abrasive or chemical agents.

RALPH LAUREN

