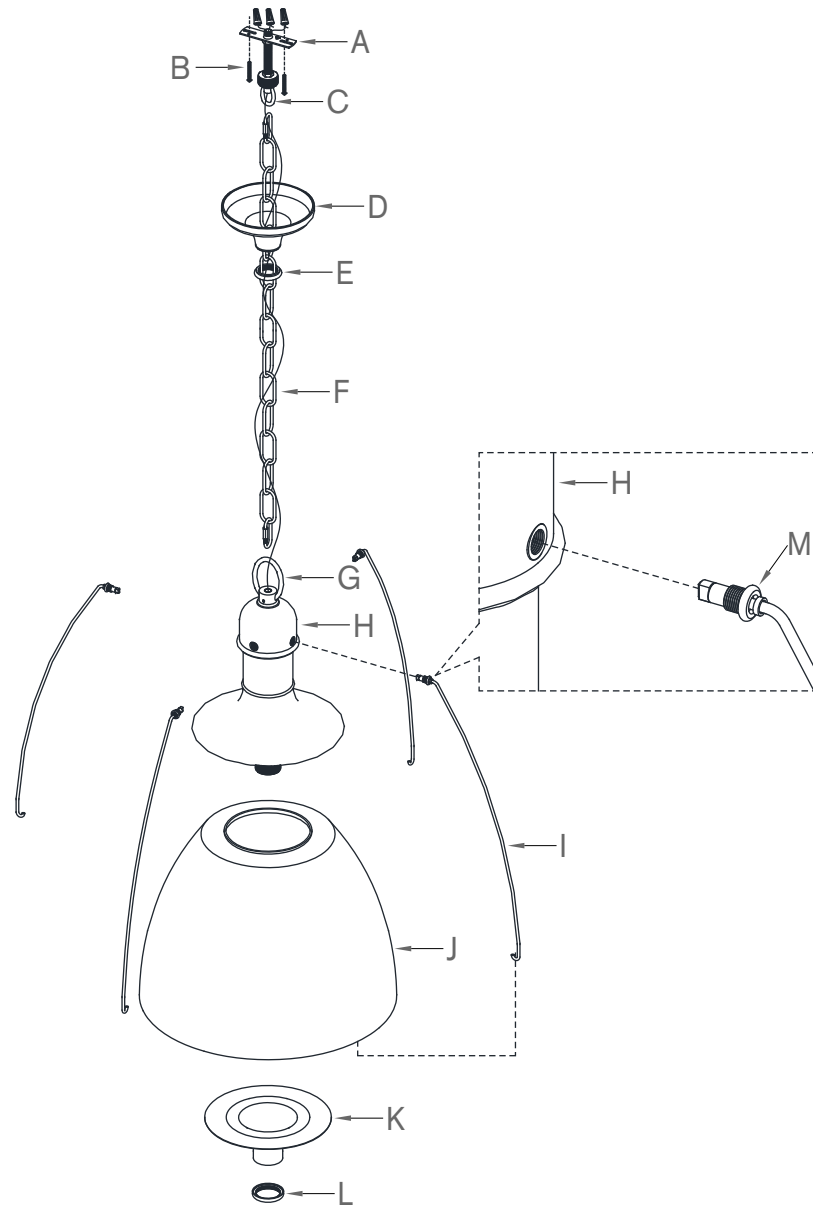


## ASSEMBLY INSTRUCTIONS



### Prestwick 18" Pendant Item # CHC 5476

**WE RECOMMEND INSTALLATION OF THIS LIGHTING FIXTURE BE DONE BY A LICENSED ELECTRICIAN.**

**WARNING \*\*\* SWITCH OFF THE MAIN ELECTRICAL SUPPLY FROM THE MAIN FUSE BOX/CIRCUIT BREAKER BEFORE INSTALLATION.**

**INSPECT ITEM CAREFULLY BEFORE ATTEMPTING TO INSTALL. IF THERE IS ANY DAMAGE OR OBVIOUS DEFECT, DO NOT INSTALL.**

**ITEM MAY NOT BE RETURNED ONCE IT HAS BEEN INSTALLED.**

1. Carefully remove all parts from the carton.
2. Thread the nipple on mounting strap (A) to collar loop (C).
3. Attach mounting strap (A) to ceiling outlet box and secure with mounting screws (B).
4. Attach chain (F) to fixture loop (G) and collar loop (C) by opening/closing quick link of chain.
5. Feed the wires through the chain (F), collar ring (E), canopy (D), collar loop (C) and mounting strap (A).
6. Unscrew collar ring (E), slide collar ring (E) and canopy (D) on chain (F).
7. Attach the bare copper ground wire from the fixture to the junction box ground wire (usually green or copper), fasten together with a plastic wire connector. Tightly wrap the wire connector with electrical tape. Be sure no wire strands are exposed. **IT IS IMPERATIVE THAT THE OUTLET BOX IN YOUR HOME BE PROPERLY GROUNDED.**
8. Connect neutral wire (usually ribbed molded wire) from fixture to the neutral wire (usually white) from the junction box. Fasten both wires together with a plastic wire connector. Tightly wrap the wire connector with electrical tape. Be sure no wire strands are exposed.
9. Connect the hot wires (usually smooth wire) from the fixture to the hot wire (usually black) from the junction box, fasten both wires together with a plastic wire connector. Tightly wrap the wire connector with electrical tape. **DO NOT REVERSE THE HOT AND NEUTRAL CONNECTIONS OTHERWISE SAFETY WILL BE COMPROMISED.**
10. Tuck the wire connections neatly into the ceiling outlet box.
11. Slip canopy (D) flush to ceiling and secure with collar ring (E).
12. Remove socket ring (L) and washer (K) from light fixture (H).
13. Carefully attach the glass shade (J) onto socket and secure with holder (K) and socket ring (L).
14. Hook the bottom end of (I) onto the glass shade (J). Insert threaded end of steel wires (I) with small collar ring (M) attached into the threaded hole on the fixture (H) and screw (M) into the hole to secure the top end of (I) in place.
15. Insert light bulb (not included) into the socket.
16. Installation is complete. Restore power and test fixture.

\*\*\* Clean with a dry, soft cloth only. Use no harsh abrasives or chemical agents.