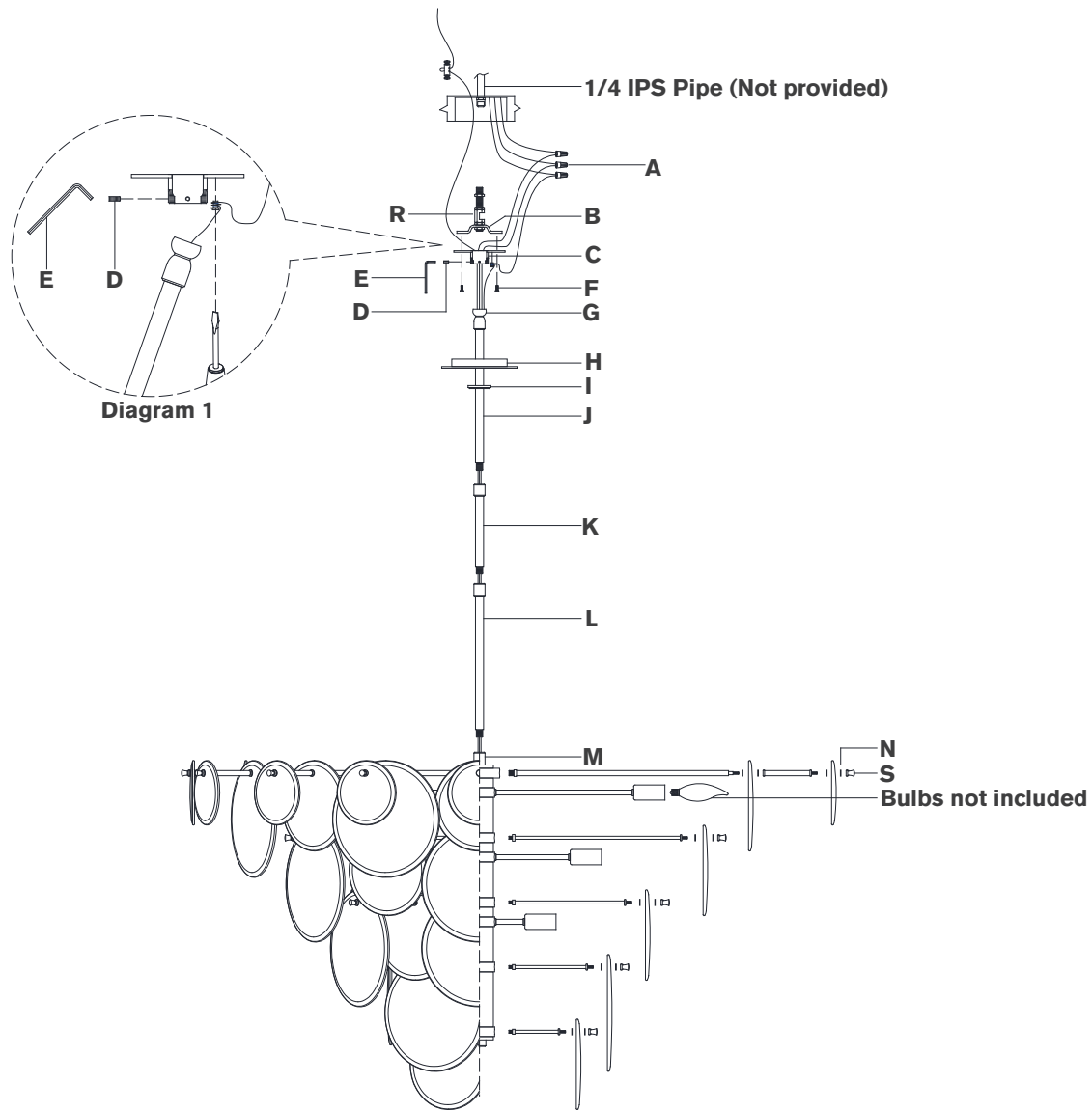


## ASSEMBLY INSTRUCTIONS



## Loire Extra Large Chandelier

Item # ARN 5454

### NOTICE:

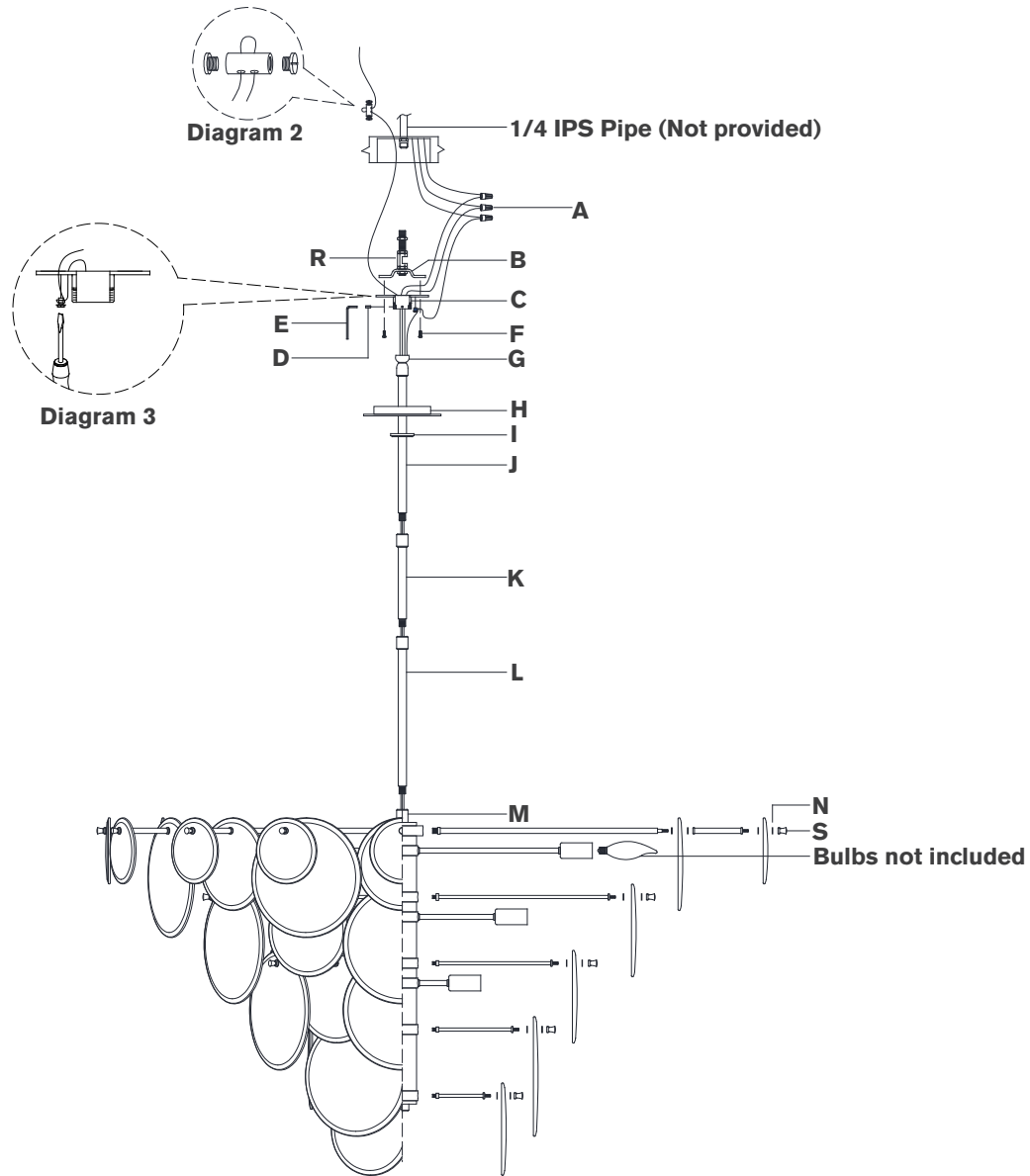
This light fixture should be installed in accordance with all applicable, local installation codes, and by a person familiar with the construction and operation of it, as well as the hazards involved. Inspect item and contents carefully. If any damage or defect is found, do not install. Retain all packaging material until installation is complete and approved.

### TOOLS REQUIRED (NOT INCLUDED):

Phillips Screwdriver      Slotted Screwdriver      Wire Cutters  
Wire Strippers

1. Carefully remove all parts from the box. Place on a clean, soft surface.
2. Remove mounting plate **(C)** from canopy **(H)** by removing collar ring **(I)**.
3. Remove mounting bracket **(B)** from mounting plate **(C)** by removing screws **(F)**.
4. Remove hickey **(R)** from mounting bracket **(B)** by removing hex nut.
5. It is recommended to install a 1/4 IPS threaded pipe, secured to a structural member of the building (not included). Then install hickey **(R)** into threaded pipe and tighten with wrench.  
**NOTE:** Item must be supported independent of the junction box due to hanging weight.
6. Install threaded nipple to hickey **(R)**, then install mounting bracket **(B)** to threaded nipple by tightening locknut.
7. Install mounting plate **(C)** to mounting bracket **(B)** and secure with screws **(F)**.
8. Feed electrical wire, ground wire and safety cable through bottom rod **(L)** and connect to fixture body **(M)**. Repeat for rod **(K)**, connecting to bottom rod **(L)**.
9. Feed wires through collar ring **(I)**, canopy **(H)** and top rod **(J)**.
10. Holding fixture upright, slide collar ring **(I)**, canopy **(H)** down bottom rod **(L)** and rest on fixture **(M)**. Then connect top rod **(J)** to rod **(K)**.

## ASSEMBLY INSTRUCTIONS



## Loire Extra Large Chandelier

Item # ARN 5454

### NOTICE:

This light fixture should be installed in accordance with all applicable, local installation codes, and by a person familiar with the construction and operation of it, as well as the hazards involved. Inspect item and contents carefully. If any damage or defect is found, do not install. Retain all packaging material until installation is complete and approved.

11. Hang fixture swivel ball **(G)** to center of mounting plate **(C)** and secure with set screw **(D)** using the provided wrench **(E)**. See diagram 1.  
**NOTE:** Slide components down slowly to avoid damages.
12. Cut excess wires, being sure to leave enough to reach the junction box. Separate wires, and strip insulation on each 5/8".
13. Loosen cable lock and install to end of safety cable. Run safety cable through junction box and around structural member of building. Insert cable through cable lock and tighten the ends with a screwdriver to secure. (See diagram 2)
14. Wrap fixture ground wire (bare copper) around the green grounding screw (see diagram 3). Tighten. Continue fixture ground wire and connect to supply ground wire (usually green or bare copper) using wire nut **(A)**.  
**NOTE:** It is imperative that the fixture is grounded.
15. Connect fixture neutral wire (white) to the supply neutral wire (usually white) using wire nut **(A)**.
16. Connect fixture hot wire (black) to the supply hot wire (usually black) using wire nut **(A)**.  
**CAUTION:** Do not reverse the hot and neutral connections.
17. Make sure all wire connections are tight, then carefully tuck into the junction box.
18. Install canopy **(H)** to mounting plate **(C)** and secure with collar ring **(I)**.
19. Install light bulbs into the sockets.
20. Install glass disks start from the bottom tier as shown below diagram.

## ASSEMBLY INSTRUCTIONS

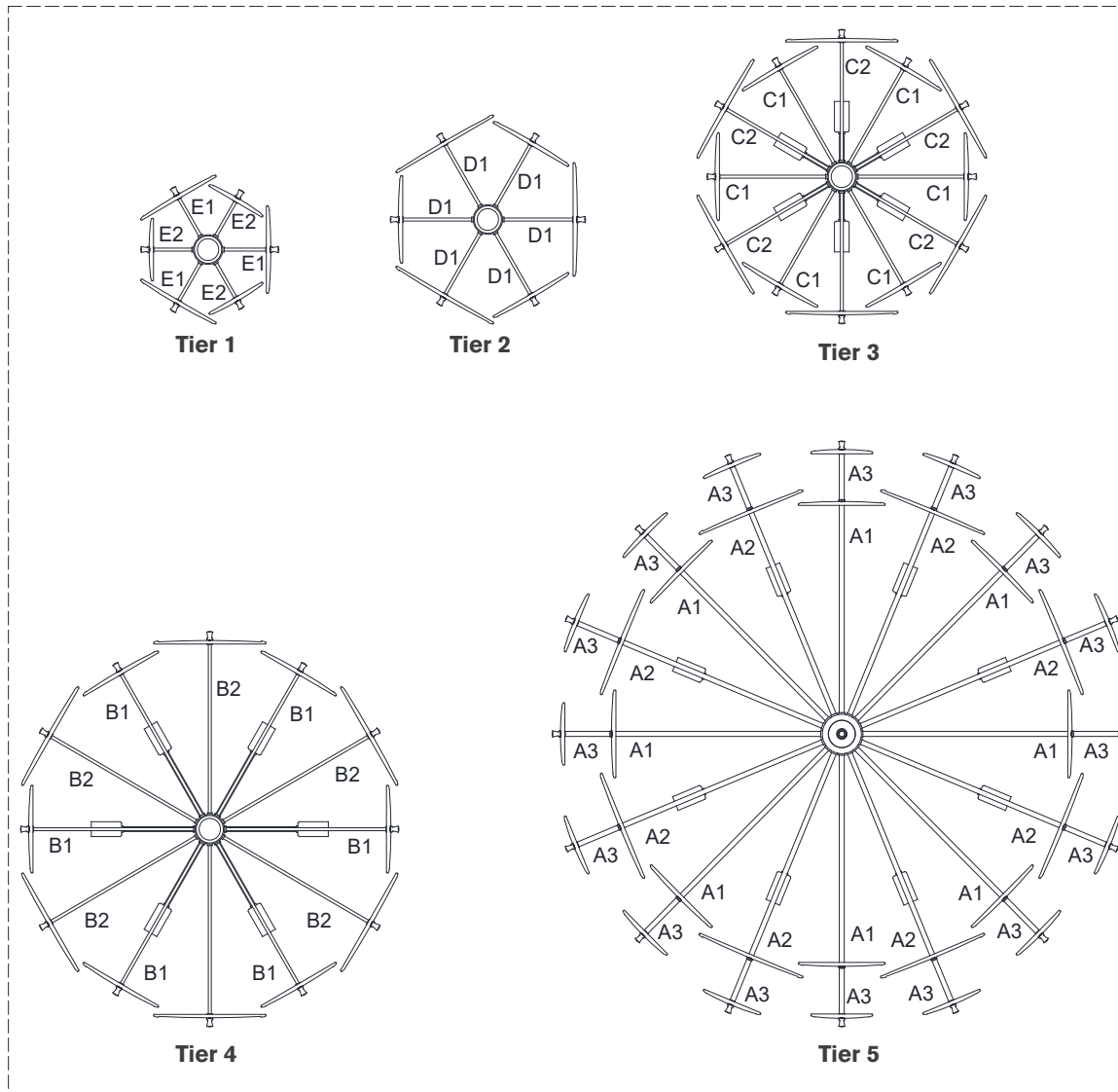


Diagram 4

## Loire Extra Large Chandelier

Item # ARN 5454

### NOTICE:

This light fixture should be installed in accordance with all applicable, local installation codes, and by a person familiar with the construction and operation of it, as well as the hazards involved. Inspect item and contents carefully. If any damage or defect is found, do not install. Retain all packaging material until installation is complete and approved.

### Metal Rod & Glass Assembly:

(Reference Diagrams 4 & 5 for steps 1-16 below)

#### Tier 1

1. Thread metal rods (**E1 & E2**) to center hub of fixture body.
2. Remove finial (**S**) from metal rods (**E2**), then attach glass (**O**) and secure with rubber washers (**N**) and finial (**S**).
3. Repeat for metal rods (**E1**), securing glass (**P**).

**NOTE:** Alternate metal rods & glass discs as shown in Diagram 4.

#### Tier 2

4. Thread metal rods (**D1**) to center hub of fixture body.
5. Remove finial (**S**) from metal rods (**D1**), then attach glass (**P & Q**) and secure with rubber washers (**N**) and finial (**S**).

**NOTE:** Reference orientation of Tier 1 on Diagram 4 to find starting point for glass parts, then alternate as shown.

#### Tier 3

- NOTE:** Reference orientation of Tier 2 on Diagram 4 to find starting point for metal rods, then alternate as shown.
6. Thread metal rods (**C1 & C2**) to center hub of fixture body.
  7. Remove finial (**S**) from metal rods (**C1**), then attach glass (**P**) and secure with rubber washers (**N**) and finial (**S**).
  8. Repeat for metal rods (**C2**), securing glass (**Q**).

## ASSEMBLY INSTRUCTIONS

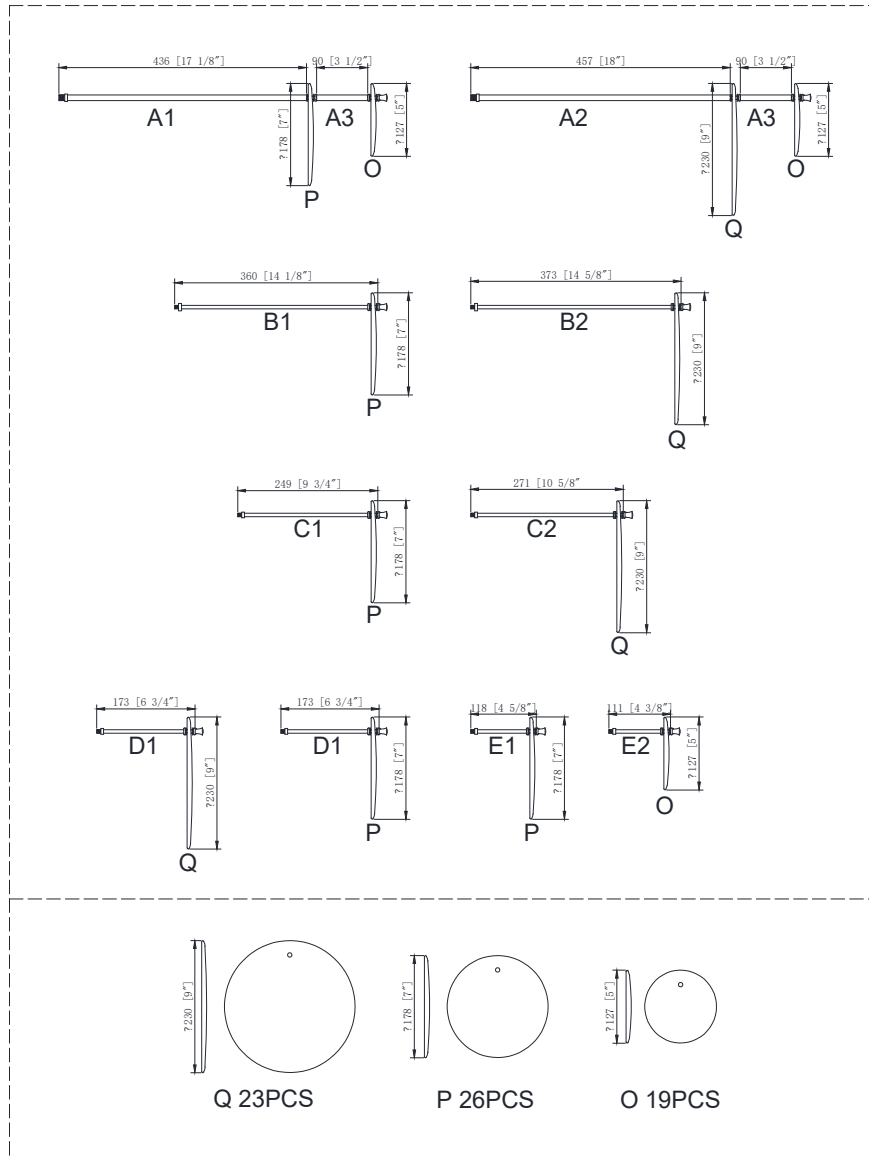


Diagram 5

## Loire Extra Large Chandelier

Item # ARN 5454

### NOTICE:

This light fixture should be installed in accordance with all applicable, local installation codes, and by a person familiar with the construction and operation of it, as well as the hazards involved. Inspect item and contents carefully. If any damage or defect is found, do not install. Retain all packaging material until installation is complete and approved.

### Tier 4

**NOTE:** Reference orientation of Tier 3 on Diagram 4 to find starting point for metal rods, then alternate as shown.

- Thread metal rods **(B1 & B2)** to center hub of fixture body.
- Remove finial **(S)** from metal rods **(B1)**, then attach glass **(P)** and secure with rubber washers **(N)** and finial **(S)**.
- Repeat for metal rods **(B2)**, securing glass **(Q)**.

### Tier 5

**NOTE:** Reference orientation of Tier 4 on Diagram 4 to find starting point for glass parts, then alternate as shown.

- Thread metal rods **(A1 & A2)** to center hub of fixture body.
- Remove metal rods **(A3)** from metal rods **(A1)**, then attach glass **(P)** and secure with rubber washer **(N)** and metal rods **(A3)**.
- Remove finial **(S)** from metal rods **(A3)**, then attach glass **(O)** and secure with rubber washer **(N)** and metal rods **(A3)**.
- Remove metal rods **(A3)** from metal rods **(A2)**, then attach glass **(Q)** and secure with rubber washer **(N)** and metal rods **(A3)**.
- Remove finial **(S)** from metal rods **(A3)**, then attach glass **(O)** and secure with rubber washer **(N)** and finial **(S)**.

**Care Instructions:** Clean only with a soft dry cloth or feather duster. Do Not use abrasive or chemical agents.