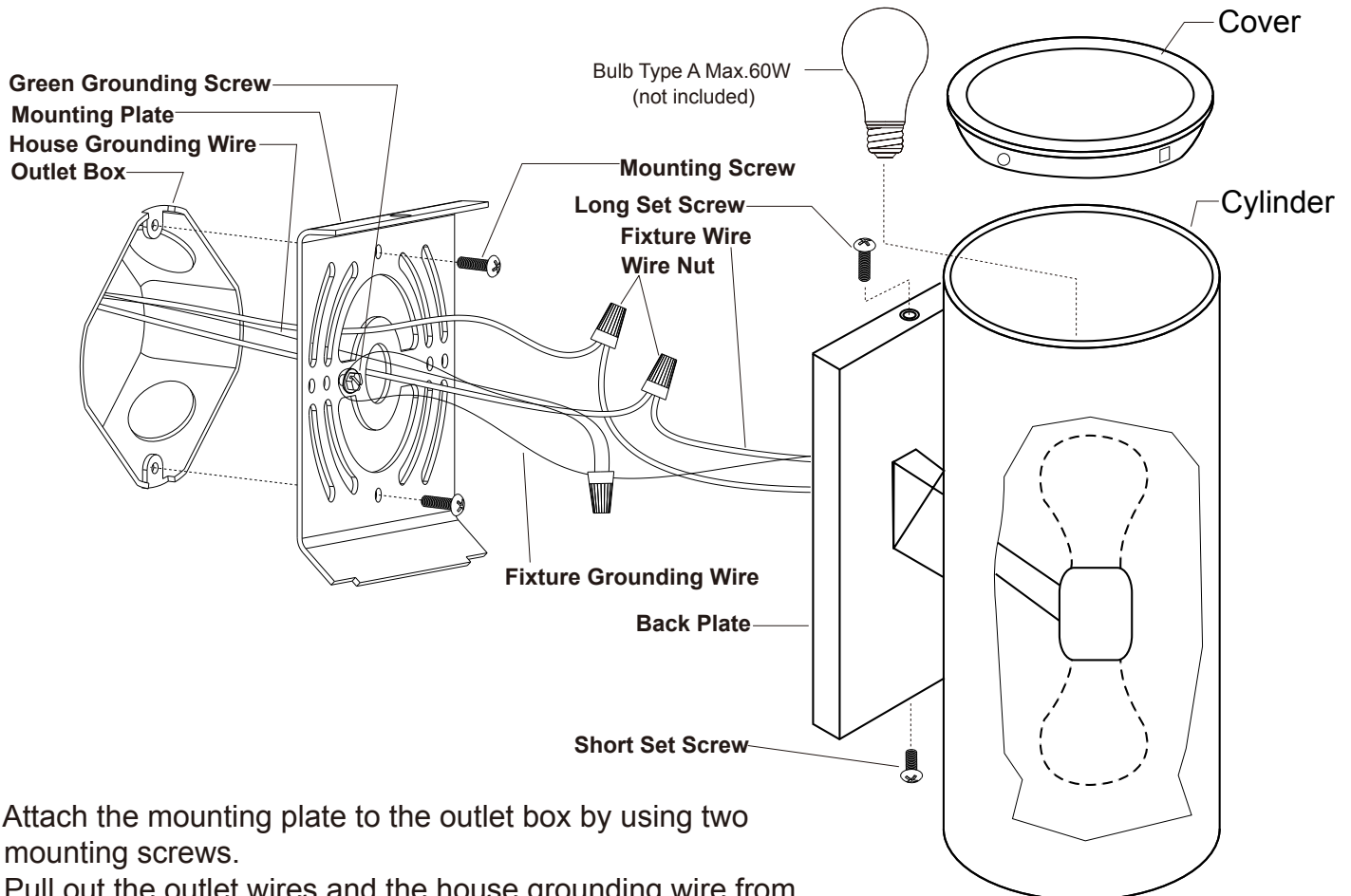


# ASSEMBLY AND INSTALLATION INSTRUCTIONS

CO-OWB052

**WARNING: BE SURE TO SHUT OFF POWER AT THE MAIN FUSE OR CIRCUIT BREAKER BOX BEFORE INSTALLING OR SERVICING THIS FIXTURE.**

**NOTE: 1. Before installing, consult local electrical codes for wiring and grounding requirements.  
2. READ AND SAVE THESE INSTRUCTIONS.**



1. Attach the mounting plate to the outlet box by using two mounting screws.
2. Pull out the outlet wires and the house grounding wire from the outlet box. Make wire connections using the wire nuts:
  - Connect the black wires from the fixture to the black wire from the power source.
  - Connect the white wires from the fixture to the white wire from the power source.
  - Attach the fixture grounding wire to the mounting plate with the green grounding screw. Then connect it to the house grounding wire with a wire nut.Carefully put the wires back into the outlet box.
3. Attach the back plate to the mounting plate by aligning holes, secure the long set screw from the top hole of the back plate into the hole in the top side of the mounting plate. Then secure the short set screw from the bottom hole of the back plate to the bottom side of the mounting plate.

**CAUTION: With silicone caulking compound, caulk completely around where the back plate meets with the wall surface to prevent water from seeping into the outlet box.**
4. Install bulbs (not included). See relamping label at socket area or packaging for maximum allowed wattage.
5. Attach the cover onto the top of the cylinder securely.
6. Turn on the power at the main fuse or circuit breaker box.