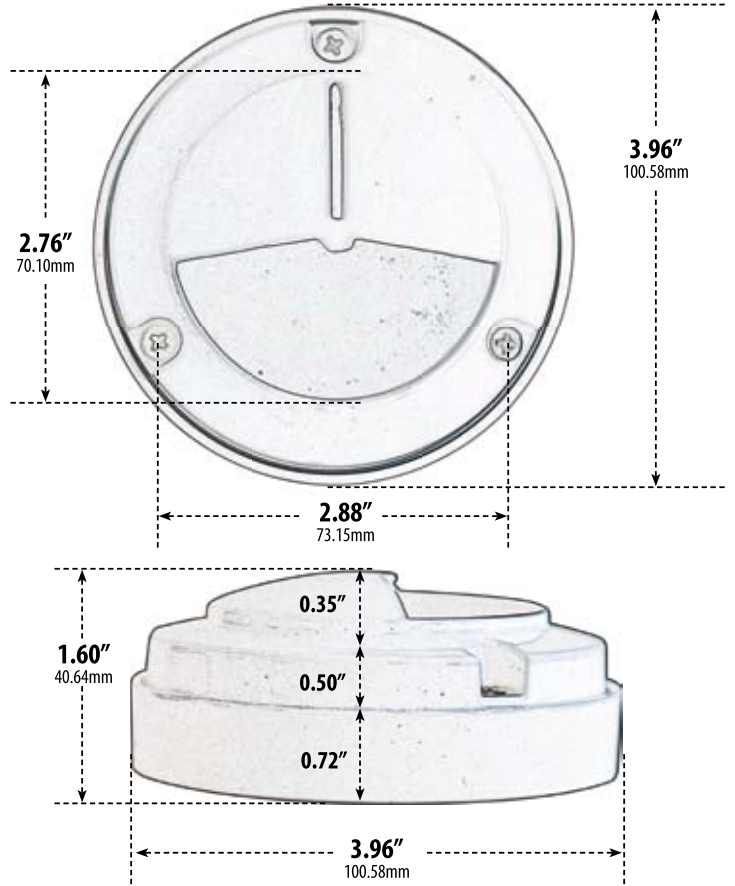


LV707

SURFACE MOUNT BRICK, STEP AND WALL LIGHT



- ▶ **Material:** Powder Coated Cast Aluminum
- ▶ **Lens:** Clear, Heat Resistant, Tempered Glass
- ▶ **Lamp:** JC Bi-Pin Base (20W Maximum)

MODEL NUMBER	LAMP TYPE	ILLUMINANT TYPE	WATTS (W)	VOLTS (V)	LAMP(S) INCLUDED?
LV707	JC	HALOGEN	20	12	YES
LV-LED707	JC-LED	15 LEDs	1.3	12	YES

- ▶ **Available Color:** Black, White, Bronze, Verde Green
- ▶ **Connector Available:** P-CN01 (sold separately) See page 89
- ▶ **ETL Approved**

Overall Dimensions:
3.96"H x 3.96"W x 1.60"D

Weight: 0.60 lbs
Approximate Wire Length: 4"
Box Dimensions: 4.25"H x 4.13"W x 2.25"D
Lamp Included



DABMAR LIGHTING INCORPORATED

2140 Eastman Ave . Oxnard, CA 93030 . 805.604.9090 . f: 805.604.9050 . www.dabmar.com