



## J-SERIES JASMINE 7" WALL SCONCE

SCK415

### FEATURES + BENEFITS

- Metal RLM shades are spun from heavy duty aluminum.
- Polyester powder coat finish provides color retention and scratch resistance.
- White powder coat shade interior for maximum light output.
- Dimmable with a dimmable bulb and compatible dimmer (not included).
- UL Listed for Wet Location.
- Warranty: Limited 1 Year.
- Made in USA.



### SPECIFICATIONS

**Product Dimensions:**

Width 7", Height 11", Depth 9 3/4", Canopy Dia. 5"

**Lamping:**

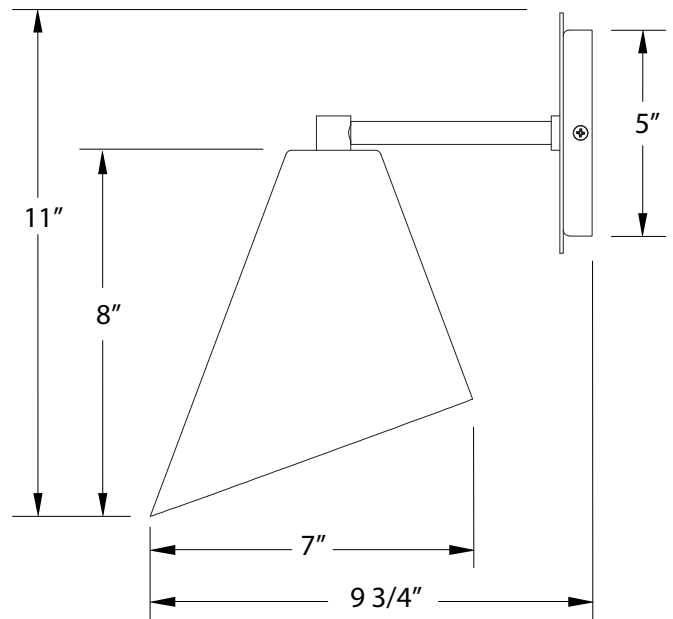
100W Medium Base per socket

**Options:**

- Finish: 16-Cream, 17-Ivory, 19-Terracotta, 20-Mauve, 21-Bright Yellow, 22-Fern Green, 40-Slate Gray, 41-Black, 42-Forest Green, 44-White Gloss, 48-Sea Green, 50-Navy, 51-Architectural Bronze, 54-Light Blue, 55-Barn Red
- Integrated LED: L10-8W, 800 Lumen, 95CRI, Adjustable CCT.

**Shipping:**

At Montclair Light Works we proudly manufacture, assemble, and ship your lamp within 3 weeks from our factory in Montclair CA.



JOB/LOCATION

QUANTITY

DATE

NOTES